



Frame for recessed outlets

INSTALLATION



WARNING AND CAUTIONS: To avoid fire, shock; turn off power at circuit breaker or fuse and test that the power is off before wiring.

The product is distributed with one preinstalled Leviton® electrical outlet (SKU: T5325-205-0DW) and four fixing screws for the recessed box.

SOME EXAPLES OF 2GANG ELECTICAL BOXES COMPATIBLE WITH HIDE

HIDE is compatible with the 2-gang recessed boxes listed below:

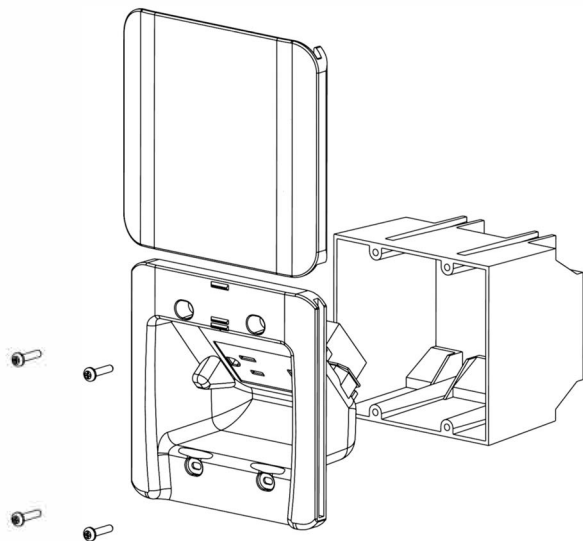
NON METALLIC

- CARLON® 32 CU.IN. B232A
- CARLON® 38 CU.IN. SKU A238
- CARLON® 32 CU.IN. SKU B232
- Legrand Pass & Seymour® S232W – 32 CU;
- GB Gardner Bender® ND32 – 32.5 CU.;
- BEIREAP® BCI-009 – 32.5 CU.;
- Fiberglass Box® H9329 EWK – 32.5 CU.

METALLIC

- Hubbel Raco® 696 – 45 CU.;
- Garvin Industries® TB235 – 44 CU.;
- Garvin Industries® CB2350 – 44 CU.;

COMPONENTS



INSTALLATION PROCEDURE

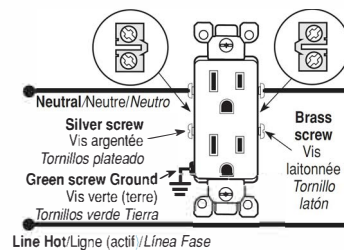
Important notice: HIDE must be installed by a trained professional electrician. The manufacturer and the distributor take no responsibility for damage or harm caused by incapacity, misuse or imprudence.

1. Remove the sliding lid, connect the phase, neutral and earth cables to the electrical outlet following instructions below for **common feed** or **separate feed**.
2. Insert the frame/socket block into the flush-mounting electrical box and affix the frame with the 4 screws provided.
3. Slide on the cover lid.

HIDE create a volume deficit of 7.33 cubic inches into the recessed box.

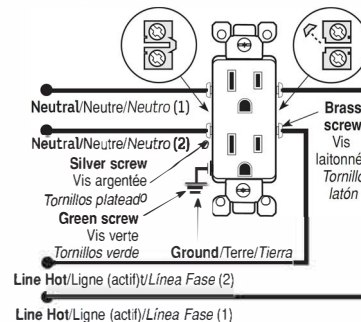
Common feed (Fins intact)

Alimentation commune (ailettes intactes)
Alimentación Común (aletas intactas)



Separate feed (Remove HOT fin only)

Alimentation séparée (ailette retirée du côté ACTIF seulement)
Alimentación Separada (Sólo quite la aleta FASE)



In addition to the information contained in the installation document, please visit the Leviton Inc. website. If you want to read the complete list of compatible boxes with HIDE visit our website www.hideelectricsupply.com